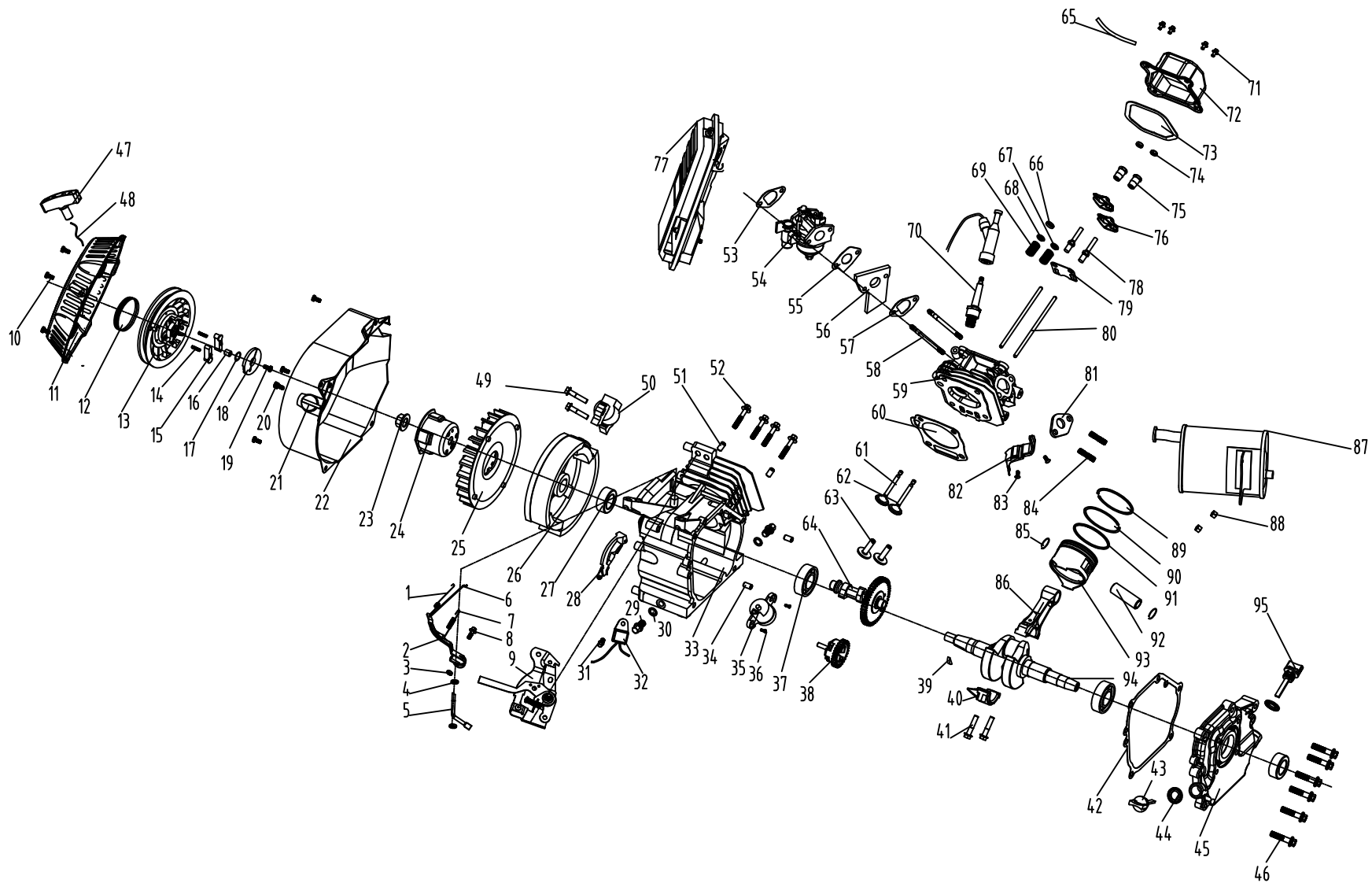
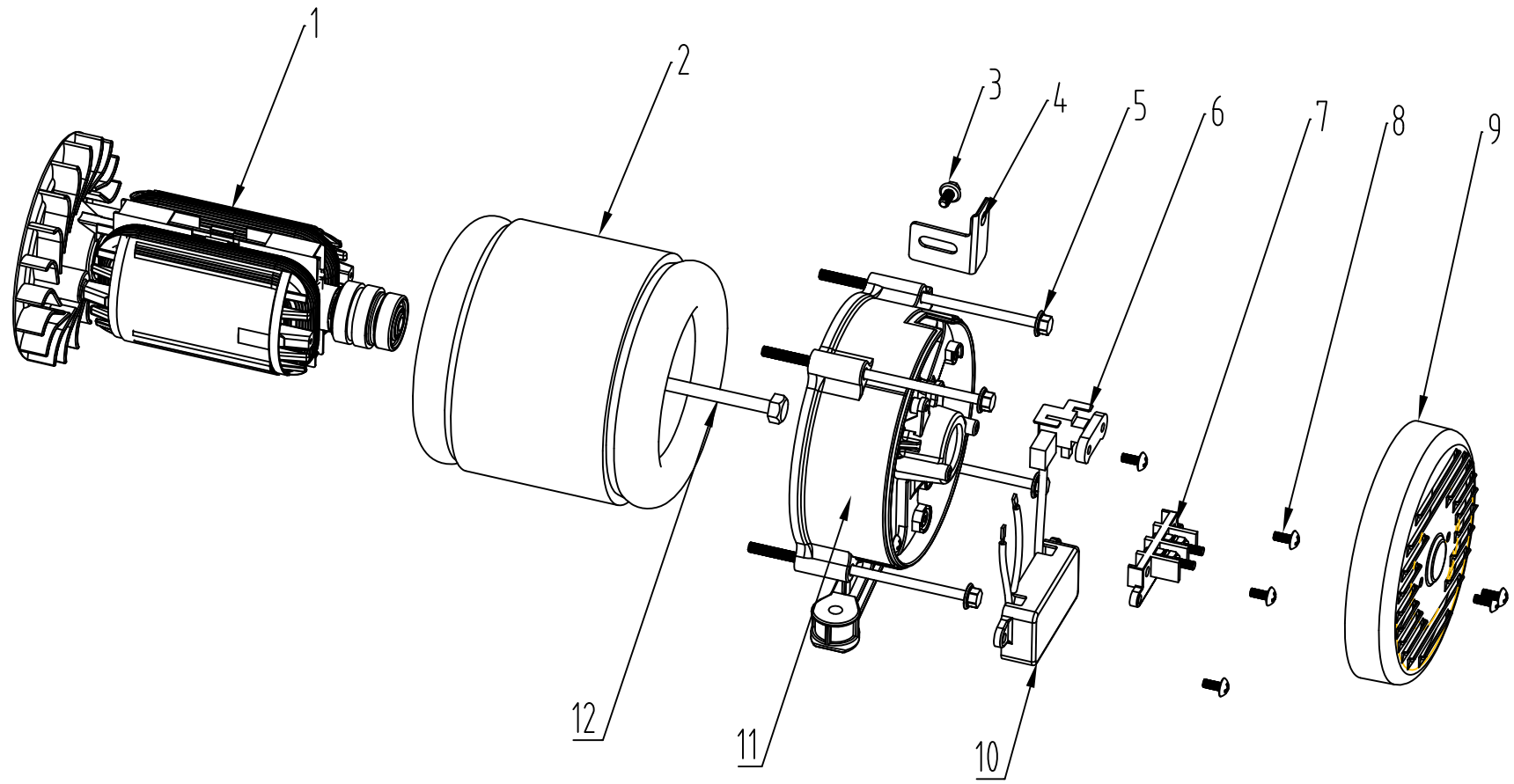


5	Control panel	控制面板
4		电机
3	Frame parts	机架部件
2	Fuel tank parts	油箱部件
1	Engine	发动机
Number	English	Chinese

Itemref	Quantity	Title/Name, designation, material, dimension etc			Article No./Reference	
Designed by XXX	Checked by XXX	Approved by - date XXX - 00/00/00	Filename Exploder	Date	Scale 1:1	
Generator Exploder						

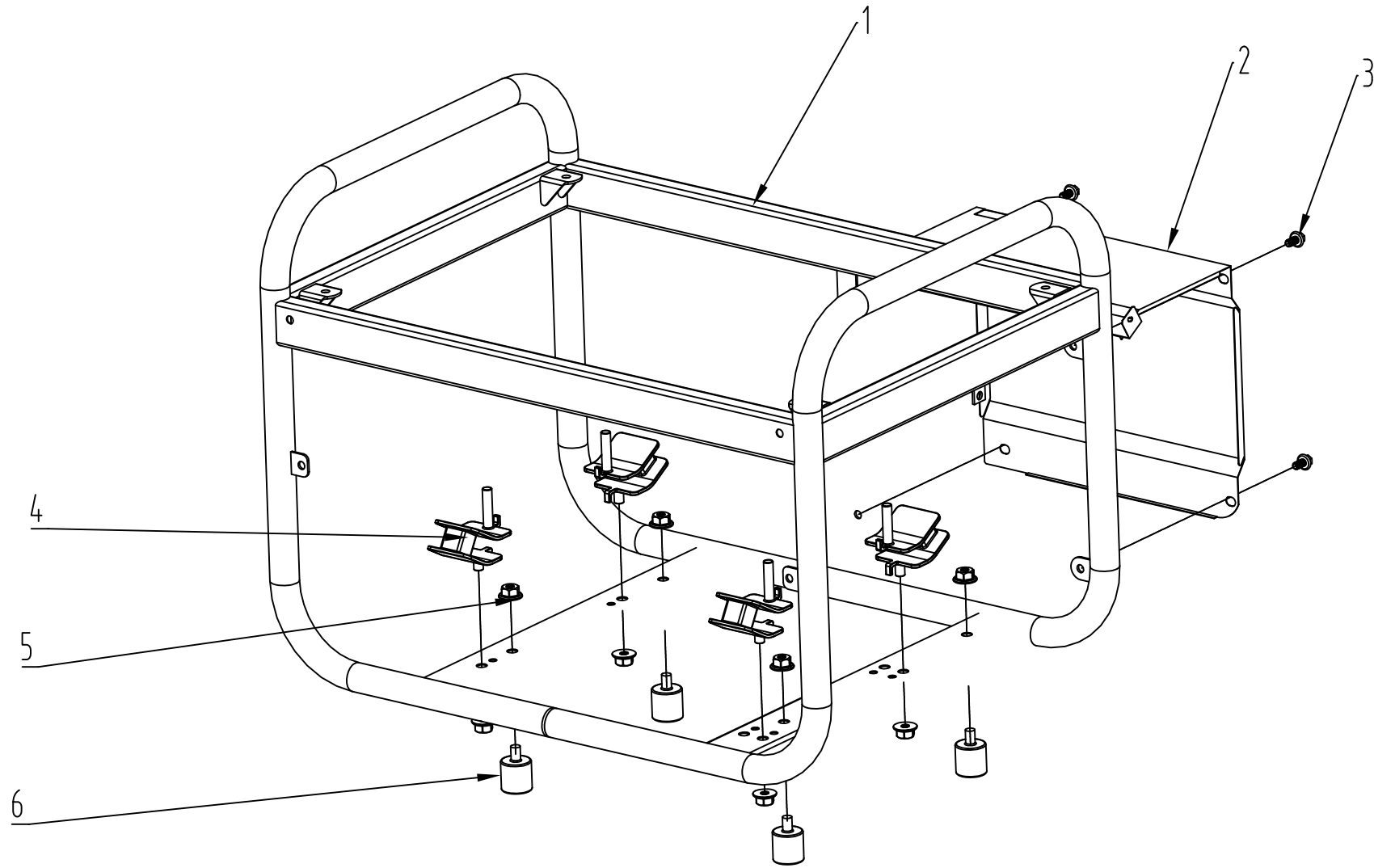


Itemref	Quantity	Title/Name, designation, material, dimension etc		Article No./Reference	
Designed by XXX	Checked by XXX	Approved by - date XXX - 00/00/00	Filename Exploder	Date	Scale 1:1
Electrical machine Exploder					



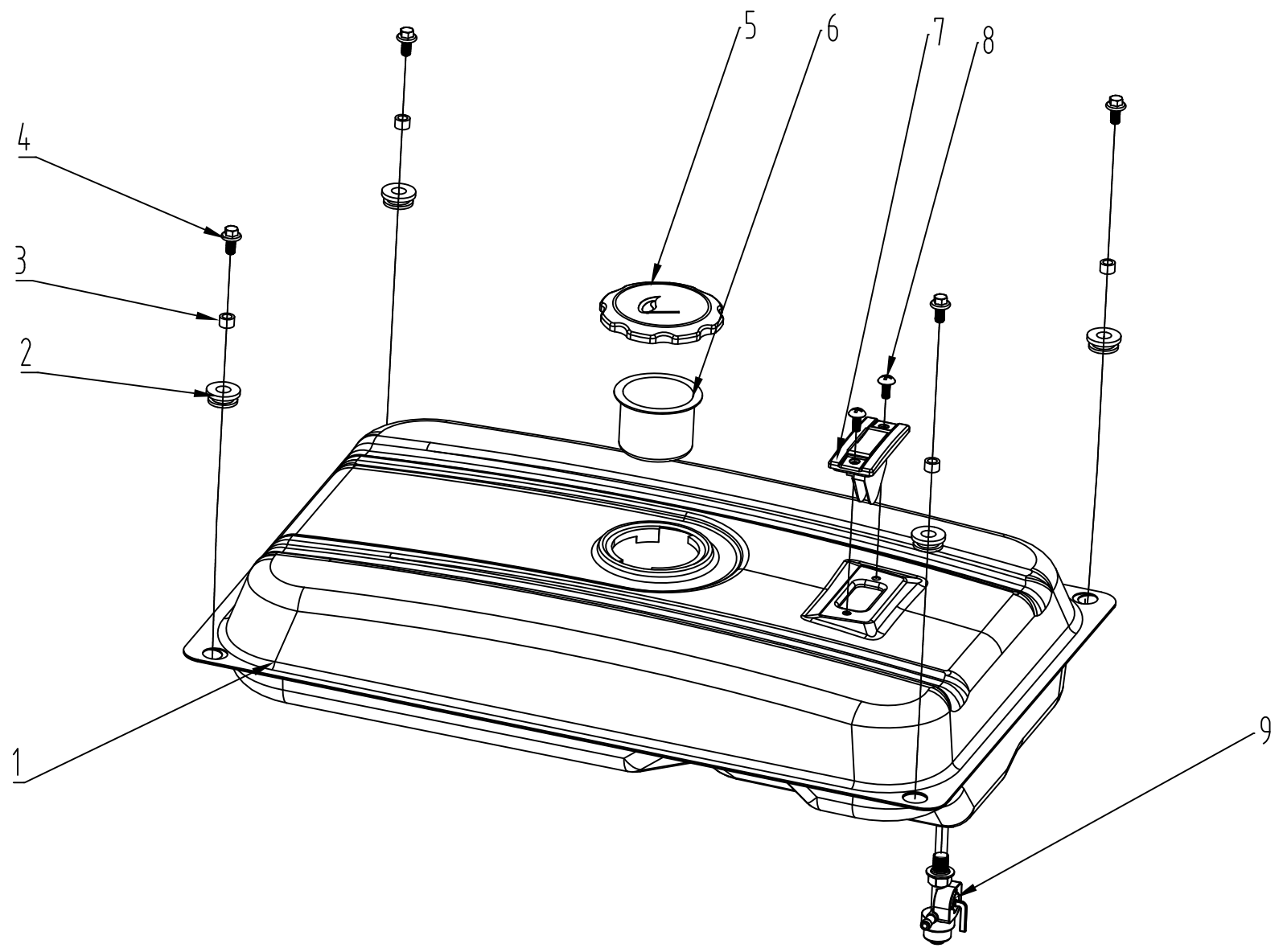
4	Hang feet	挂脚	8	Bolt M5×12	螺栓 M5×12	12	Rotor bolt	转子螺栓
3	Bolt M6×12	螺栓 M6×12	7	Junction Box	接线柱	11	Generator End Bell	电机支架
2	Stator	定子	6	Carbon brush	碳刷	10	Adjust Voltage Regulator	调压器
1	Rotor	转子	5	Stator bolt	定子螺栓	9	Back Cover	后盖
Number	English	Chinese	Number	English	Chinese	Number	English	Chinese

Itemref	Quantity	Title/Name, designation, material, dimension etc			Article No./Reference	
Designed by XXX	Checked by XXX	Approved by - date XXX - 00/00/00	Filename Exploder	Date	Scale 1:1	
Electrical machine Exploder						



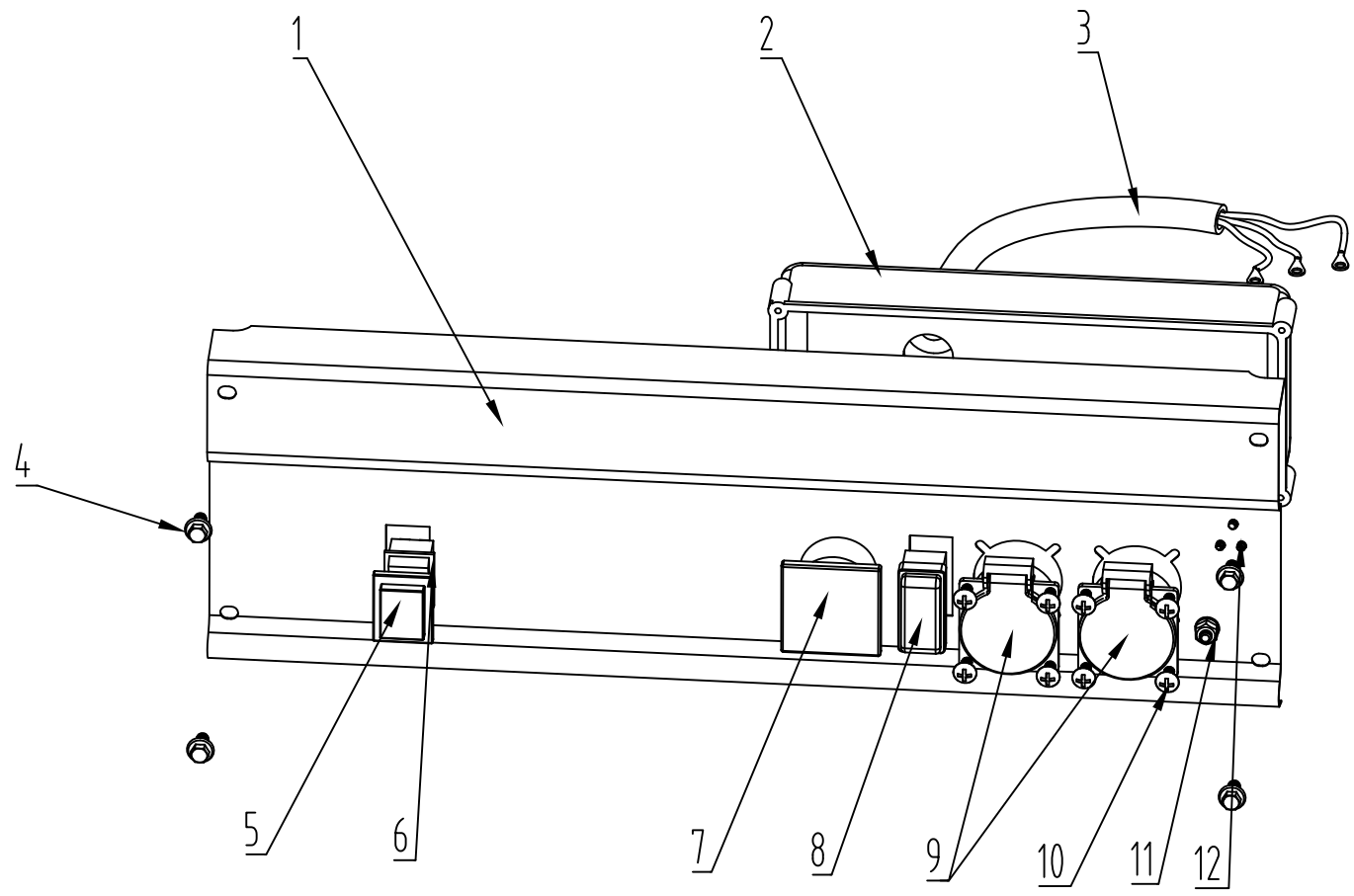
2	Guard ban	防护板	4	Shake Feet	减震脚	6	Rubber feet	橡胶脚
1	Frame	机架	3	Bolt M6×12	螺栓 M6×12	5	Nut M8	螺母 M8
Number	English	Chinese	Number	English	Chinese	Number	English	Chinese

Itemref	Quantity	Title/Name, designation, material, dimension etc			Article No./Reference	
Designed by XXX	Checked by XXX	Approved by - date XXX - 00/00/00	Filename Exploder	Date	Scale 1:1	
Frame parts Exploder						



3	Iron cover	铁套	6	Filter net	滤网	9	Fuel switch	油开关
2	Rubber gasket	橡胶垫	5	Fuel tank Cover	油箱盖	8	Bolt M5×12	螺栓 M5×12
1	Fuel tank	油箱	4	Bolt M6×25	螺栓 M6×25	7	Fuel Meter	油位表
Number	English	Chinese	Number	English	Chinese	Number	English	Chinese

Itemref	Quantity	Title/Name, designation, material, dimension etc			Article No./Reference	
Designed by XXX	Checked by XXX	Approved by - date XXX - 00/00/00	Filename Exploder	Date	Scale 1:1	
Fuel tank parts Exploder						



4	Bolt M6×12	螺栓 M6×12	8	Breaker	保护器	12	DC terminal	直流接线端子
3	Inlet wire	内部导线	7	Voltage meter	电压表	11	Earth bolt	接地螺栓
2	Panel back cover	面板后盖	6	Switch	开关	10	Bolt M5×10	螺栓 M5×10
1	Control panel	控制面板	5	Switch cover	开关盖	9	Socket	插座
Number	English	Chinese	Number	English	Chinese	Number	English	Chinese

Itemref	Quantity	Title/Name, designation, material, dimension etc			Article No./Reference	
Designed by XXX	Checked by XXX	Approved by - date XXX - 00/00/00	Filename Exploder	Date	Scale 1:1	
Control panel Exploder						